

HBA-200

Multi Smart I/O Control Module



The HBA-200 is a smart home control module. It can be used to switch on/off for lights or electrical appliances. In addition, the HBA-200 supports 8-channel digital inputs, which can be used to connect with sensors and/or scenario buttons. The HBA-200 works with HomeScenario smart home controllers such as HBC-100.

Features

- Supports RS-485/Modbus for wired smart home control
- Provides 8 NC/NO relay outputs with high rating, which can be used to control lighting on/off or window curtain
- Can be used to switch load of AC or DC
- Max loading (each load):
Resistive 20A x4, 10A x4
- Also provides 8-channel digital inputs, which can be connected with sensor or scenario button
- DIN-Rail installation

HBA-200

Multi Smart I/O Control Module



Technical Specifications

Interfaces:	
Serial	RS-485
Digital Input	8x digital inputs, terminal blocks
Relay Output	4x 20A COM/NC/NO, 4x 10A COM/NC/NO; terminal blocks
N	Neutral wire, for power status detection
LED Display:	
Power	Power on/off
Mode	Configuration mode status
1-8	System ID indication
Environmental Conditions:	
Operational	0°C to 45°C
Storage	-20°C to 60°C
Humidity	10% to 85% Non-Condensing
Installation	DIN-Rail
Protection	Indoor

Dimensions & Weight:	
Dimension (WxLxH)	155mm x 110mm x 60mm
Weight	350g
Package:	
HBA-200	
Terminal blocks (Optional)	

(**Product specifications subject to change without notice.)

Ordering Information

HBA-200	Multi Smart I/O Control Module
---------	--------------------------------

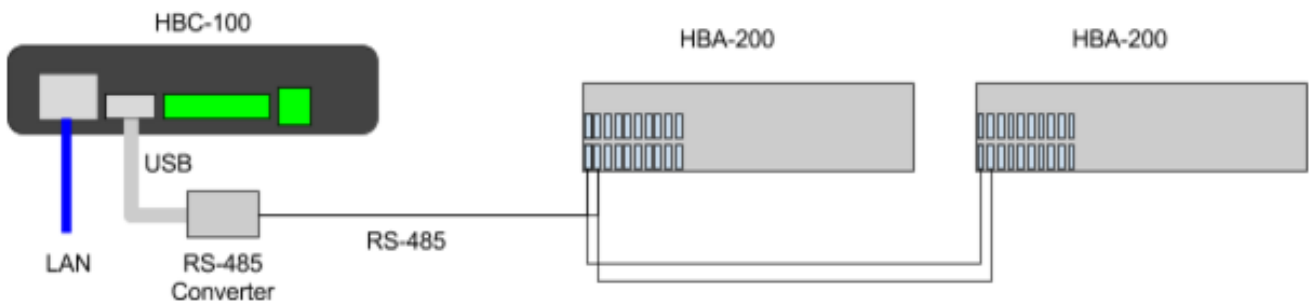
HBA-200

Multi Smart I/O Control Module



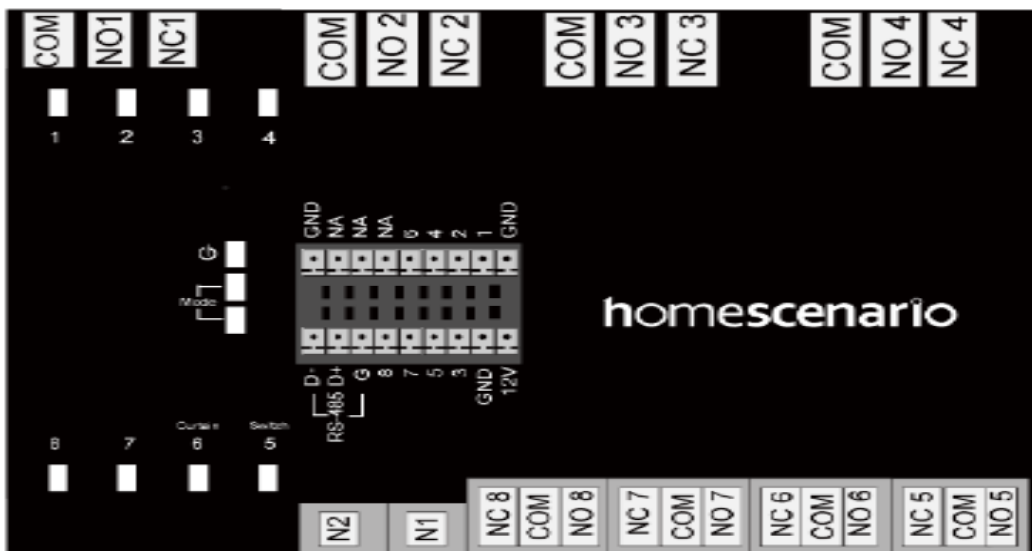
System Diagram

Multiple HBA-200 can be controlled by the smart home controller (e.g. HBC-100) using RS 485/Modbus.



Wiring

Wiring connections are shown on the front cover of HBA-200 (see below picture).

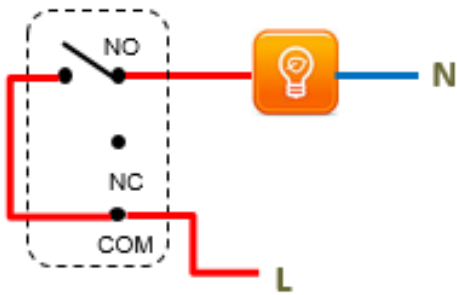


HBA-200

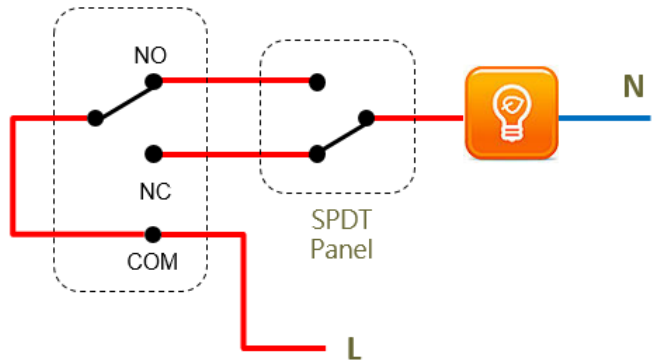
Multi Smart I/O Control Module



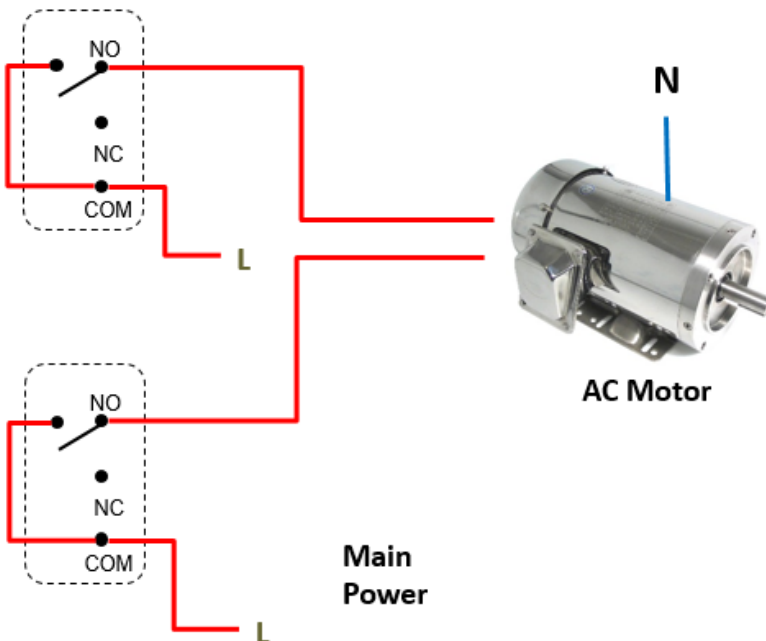
Lighting (Single-pole):



Lighting (3-way):



AC Motor:

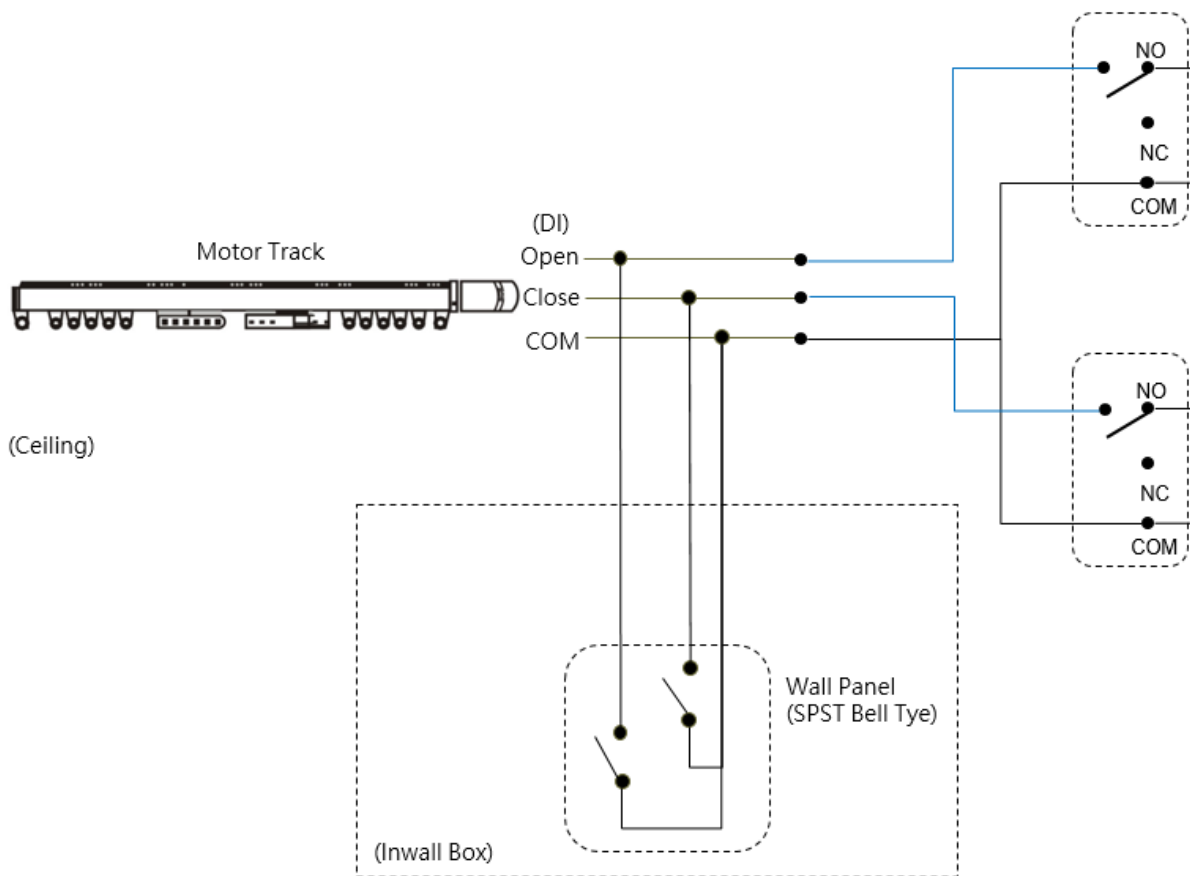


HBA-200

Multi Smart I/O Control Module



Curtain Digital Contacts:

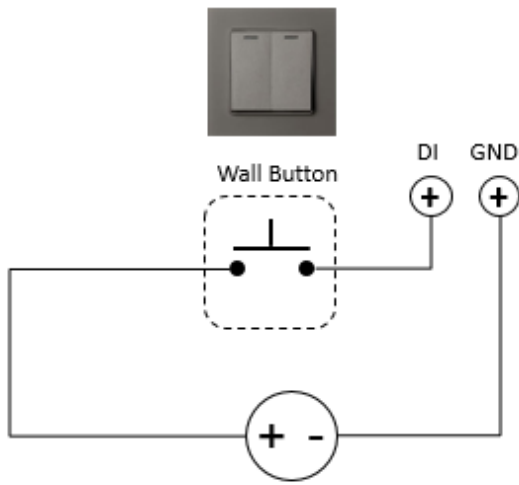


HBA-200

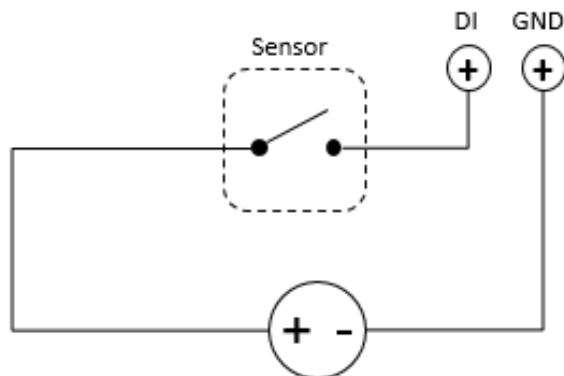
Multi Smart I/O Control Module



Scenario Button:





Sensor:




About HomeScenario

HomeScenario, Inc. offers cloud-enabled solutions for IP & Analog Intercom, Alarm & Access Control, Video Surveillance, Home Automation, Audio/Video, and Energy Management. Integrating technologies of wireless control and broadband networking, the HomeScenario solutions make comfort, convenience, safety, security, and eco-friendliness available without the need of extensive and costly remodeling. Our products are designed to work seamlessly with systems such as lighting, sensor alarm, thermostat, door access, window shades, security monitoring, home theater, and more. With power features and flexible architecture, HomeScenario solutions can fit various requirements of apartment, villa, hotel, dormitory, office, and commercial building.

 +886-2-8512-1864

 +886-2-8512-4885

 sales@homescenario.com



www.homescenario.com